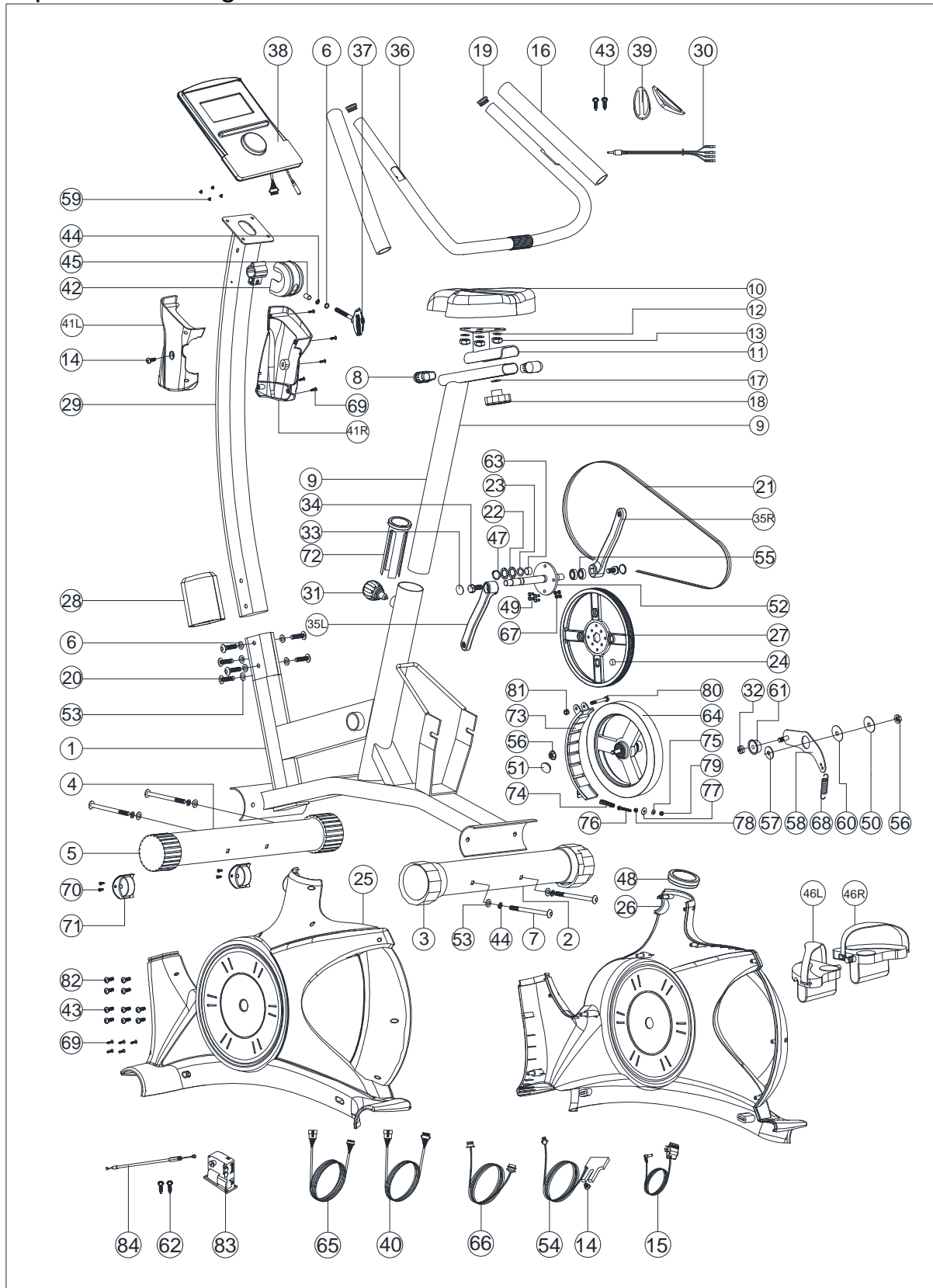


Exploded Drawing



Part List

Part	Description	Material	Specification	Q'ty
------	-------------	----------	---------------	------